

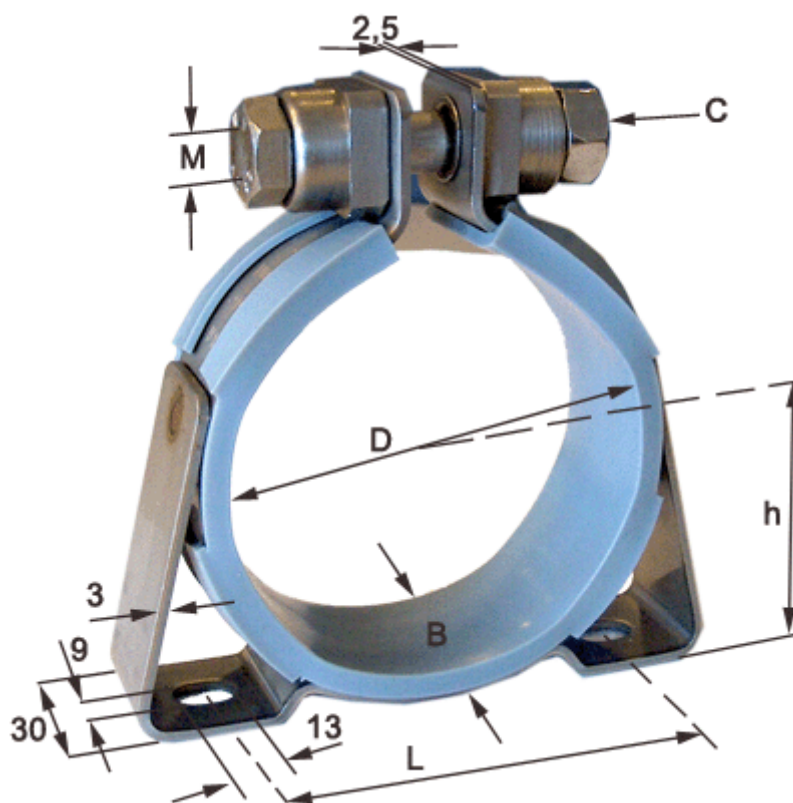
Data Sheet



Article number: 021816243085

Description: Clamp with bracket and rubber
SPGU 6243. 85/30 SK Pk a 100 stk.

Measures



C (screw type) = SK hexagon screw

Diameter D = 85

h = 51

L = 90

Width B = 30